

0.9mm Height PLCC-2 Package Top View  
LED grow light components  
Technical Data Sheet

Part No.: DL-TOP5730GL-R

## Double Light

### ◆ Features:

1. PLCC-2 package.
2. High power LED type.
3. White package.
4. Optical indicator.
5. Colorless clear window.
6. Inter reflector.
7. Wide viewing angle.
8. Very long operating life.
9. Instant light (less than 100 ns).
10. Cove/Under shelf/Task.
11. Designed for high current operation.
12. Low thermal resistance.
13. Suitable for automatic placement equipment.
14. Suitable for vapor-phase reflow, Infrared reflow and wave solder processes.
15. The product itself will remain within RoHS compliant Version.

### ◆ Descriptions:

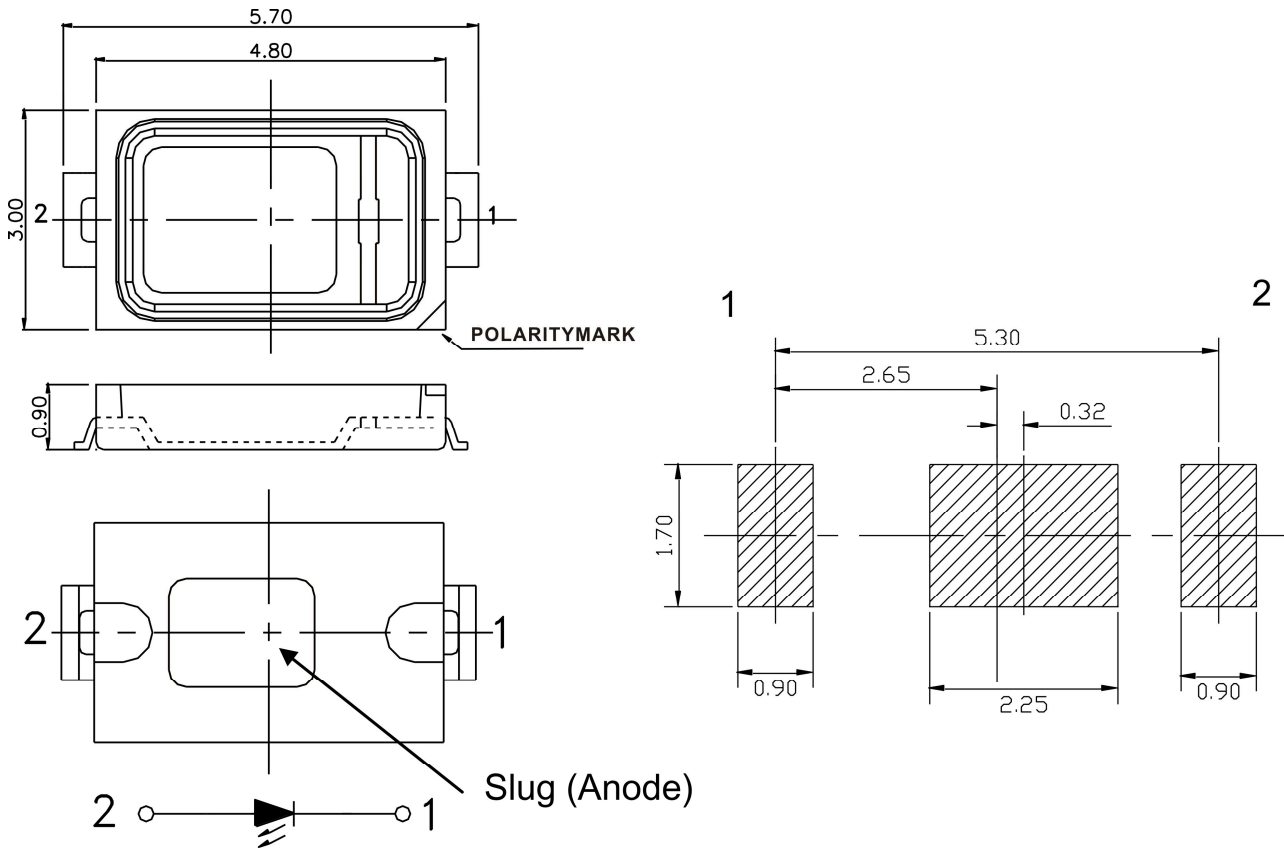
1. The TOP 5730 series is available in soft red, orange, yellow, green, blue and white. Due to the package design, the LED has wide viewing angle and optimized light coupling by inter reflector. This feature makes the SMT TOP LED ideal for light pipe application. The low current requirement makes this device ideal for portable equipment or any other application where power is at a premium.
2. Our led grow light mainly are red and blue spectrum, these two spectrums are the peak of plants absorption.

### ◆ Applications:

1. Horticultural operations
2. Commercial vegetable and flower production
3. Supplemental greenhouse lighting
4. Hydroponics
5. Research experiment

# Double Light

## ◆ Package Dimension:



| Part No.       | Chip Material | Lens Color    | Source Color |
|----------------|---------------|---------------|--------------|
| DL-TOP5730GL-R | AlGaInP       | Pink Diffused | Hyper Red    |

### Notes:

1. All dimensions are in millimeters.
2. Tolerance is  $\pm 0.10\text{mm}$  (.004") unless otherwise noted.
3. Specifications are subject to change without notice.

## Double Light

### ◆ Absolute Maximum Ratings at Ta=25°C

| Parameters   | Symbol | Max.                | Unit |
|--|--------|---------------------|------|
| Power Dissipation  | PD     | 300                 | mW   |
| Peak Forward Current<br>(1/10 Duty Cycle, 0.1ms Pulse Width) | IFP    | 250                 | mA   |
| Forward Current  | IF     | 150                 | mA   |
| Electrostatic Discharge (HBM)                                | ESD    | 2000                | V    |
| Operating Temperature Range                                  | Topr   | -40°C to +80°C      |      |
| Storage Temperature Range                                    | Tstg   | -40°C to +85°C      |      |
| Soldering Temperature  | Tsld   | 260°C for 5 Seconds |      |

### Electrical Optical Characteristics at Ta=25°C

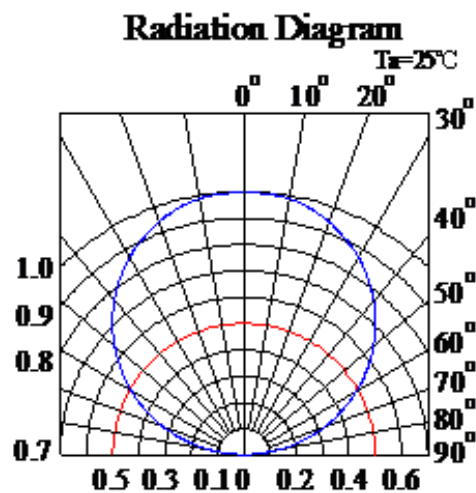
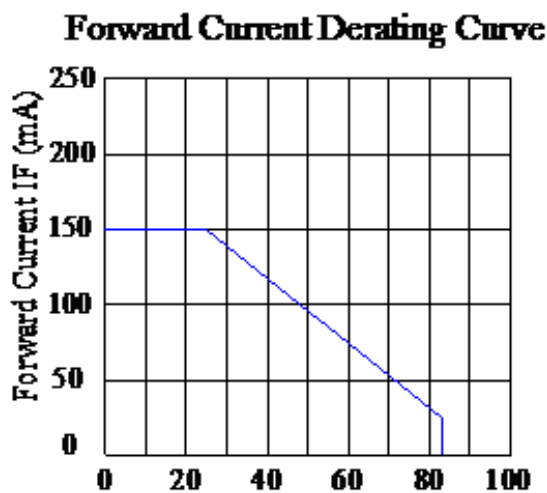
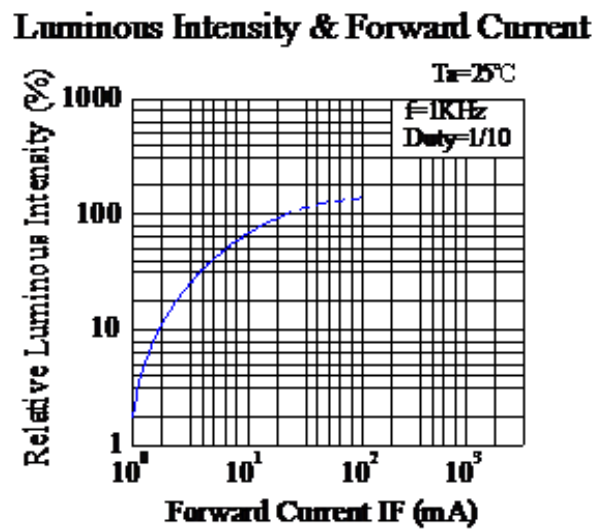
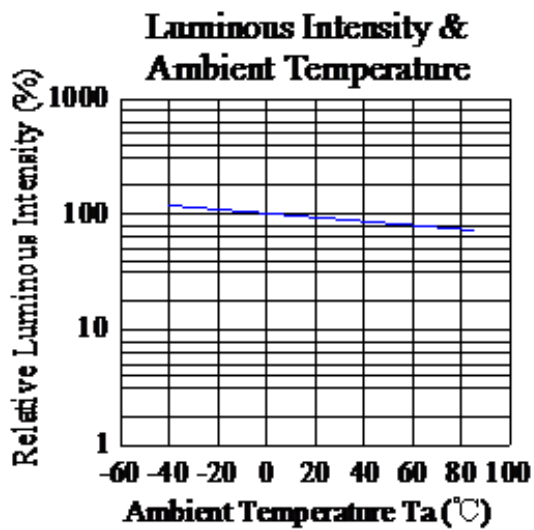
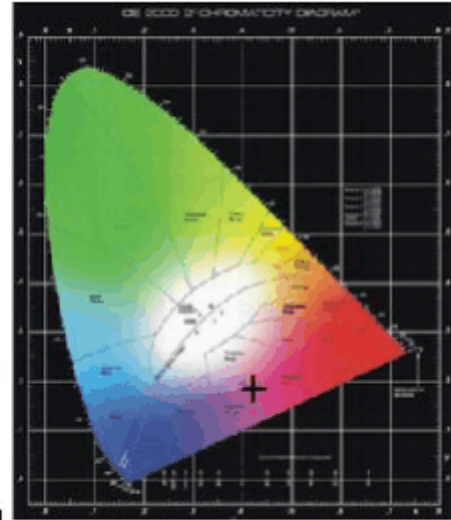
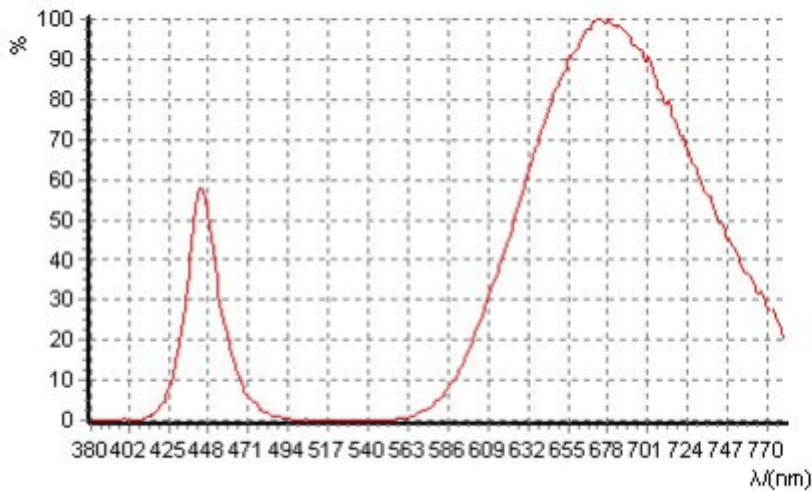
| Parameters               | Symbol          | Min. | Typ.   | Max. | Unit    | Test Condition       |
|--------------------------|-----------------|------|--------|------|---------|----------------------|
| Luminous Flux            | $\Phi_v$        | 5.0  | 7.0    | ---- | lm      | IF=150mA<br>(Note 1) |
| Viewing Angle            | $2\theta_{1/2}$ | ---  | 120    | ---  | Deg     | IF=150mA<br>(Note 2) |
| Peak Emission Wavelength | $\lambda_p$     | -519 | -514.9 | -510 | nm      | IF=150mA             |
| Centroid wavelength      | $\lambda_c$     | 618  | 620.4  | 622  | nm      | IF=150mA             |
| Forward Voltage          | VF              | 3.00 | 3.30   | ---  | V       | IF=150mA             |
| Chromaticity Coordinates | X               | ---  | 0.4278 | ---  |         | IF=150mA             |
|                          | Y               | ---  | 0.1803 | ---  |         |                      |
| Reverse Current          | IR              | ---  | ---    | 10   | $\mu$ A | $V_R=5V$             |

#### Notes:

- Luminous Intensity (Flux) Measurement allowance is  $\pm 10\%$ .
- $\theta_{1/2}$  is the off-axis angle at which the luminous intensity is half the axial luminous intensity.
- It use many parameters that correspond to the CIE 1931 2°. X, Y, and Z are CIE 1931 2° values of Red, Green and Blue content of the measurement.

# Double Light

## ◆ Typical Electrical / Optical Characteristics Curves (25°C Ambient Temperature Unless Otherwise Noted)



## Double Light

### ◆ Reliability Test Items And Conditions:

The reliability of products shall be satisfied with items listed below:

Confidence level: 90%.

LTPD: 10%.

#### 1) Test Items and Results:

| No. | Test Item                          | Test Hours/Cycles | Test Conditions                          | Sample Size | Ac/Re |
|-----|------------------------------------|-------------------|--|-------------|-------|
| 1   | Resistance to Soldering Heat       | 6 Min             | Tsld=260±5°C,<br>Min. 5sec               | 25pcs       | 0/1   |
| 2   | Thermal Shock                      | 300 Cycles        | H: +100°C 5min f 10 sec<br>L: -10°C 5min | 25pcs       | 0/1   |
| 3   | Temperature Cycle                  | 300 Cycles        | H: +100°C 15min f 5min<br>L: -40°C 15min | 25pcs       | 0/1   |
| 4   | High Temperature Storage           | 1000Hrs.          | Temp: 100°C                              | 25pcs       | 0/1   |
| 5   | DC Operating Life                  | 1000Hrs.          | IF=150mA                                 | 25pcs       | 0/1   |
| 6   | Low Temperature Storage            | 1000Hrs.          | Temp: -40°C                              | 25pcs       | 0/1   |
| 7   | High Temperature/<br>High Humidity | 1000Hrs.          | 85°C/85%RH                               | 25pcs       | 0/1   |

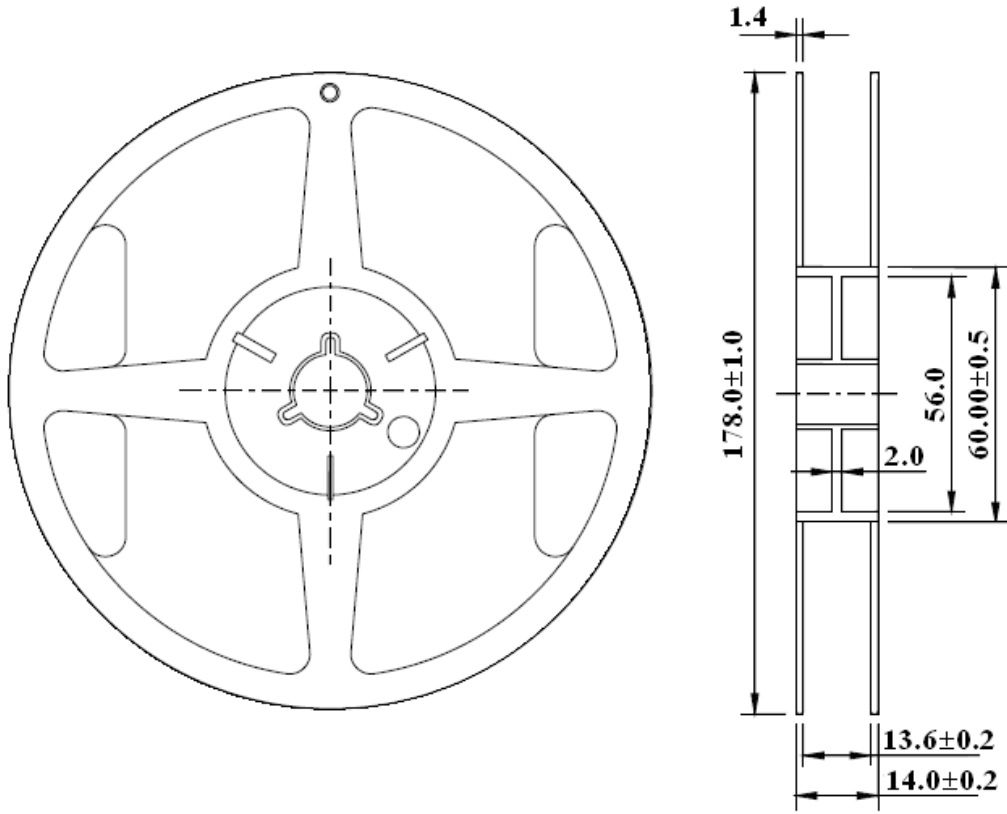
#### 2) Criteria for Judging the Damage:

| Item               | Symbol | Test Conditions | Criteria for Judgment |            |
|--------------------|--------|-----------------|-----------------------|------------|
|                    |        |                 | Min                   | Max        |
| Forward Voltage    | VF     | IF=150mA        | ---                   | F.V.*)×1.1 |
| Reverse Current    | IR     | VR=5V           | ---                   | F.V.*)×2.0 |
| Luminous Intensity | IV     | IF=150mA        | F.V.*)×0.7            | ---        |

\*) F.V.: First Value.

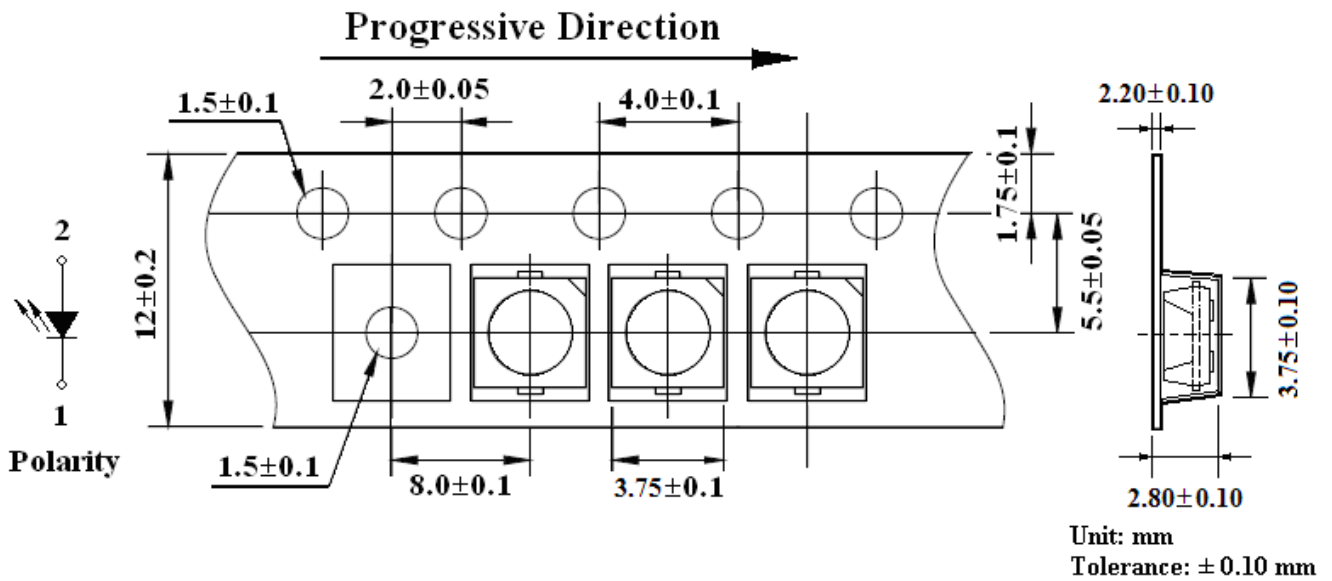
# Double Light

## ◆ Reel Dimensions:



## Carrier Tape Dimensions:

Loaded quantity 1000 PCS per reel.



## Double Light

### ◆ Please read the following notes before using the product:

#### 1. Over-current-proof

Customer must apply resistors for protection, otherwise slight voltage shift will cause big current change (Burn out will happen).

#### 2. Storage

2.1 Do not open moisture proof bag before the products are ready to use.

2.2 Before opening the package, the LEDs should be kept at 30°C or less and 90%RH or less.

2.3 The LEDs should be used within a year.

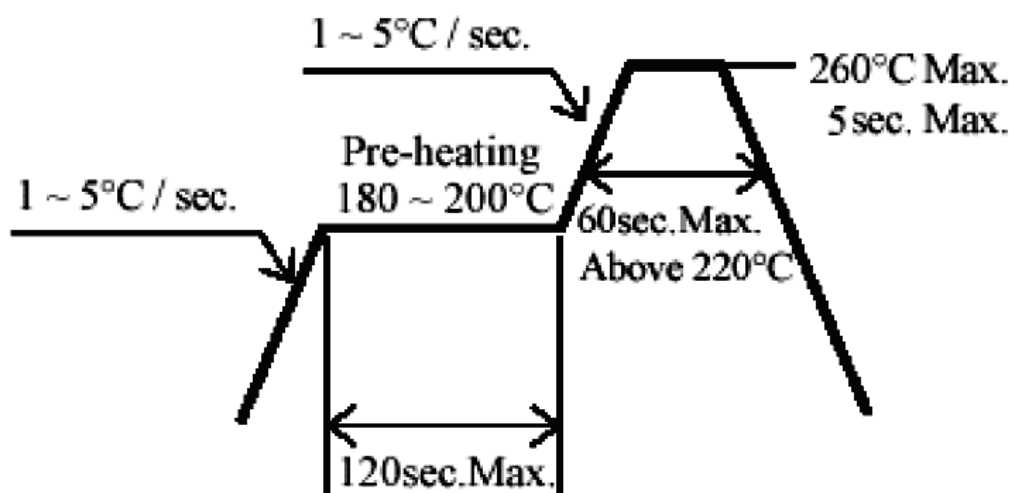
2.4 After opening the package, the LEDs should be kept at 30°C or less and 70%RH or less.

2.5 The LEDs should be used within 168 hours (7 days) after opening the package.

2.6 If the moisture adsorbent material (silica gel) has fabled away or the LEDs have exceeded the storage time, baking treatment should be performed using the following conditions. Baking treatment: 60±5°C for 24 hours.

#### 3. Soldering Condition

3.1 Pb-free solder temperature profile.



3.2 Reflow soldering should not be done more than two times.

3.3 When soldering, do not put stress on the LEDs during heating.

3.4 After soldering, do not warp the circuit board.

#### 4. Soldering Iron

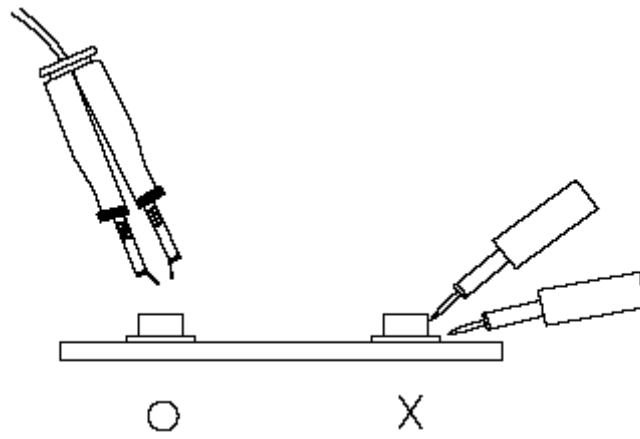
Each terminal is to go to the tip of soldering iron temperature less than 260°C for 5 seconds within once in less than the soldering iron capacity 25W. Leave two seconds and more intervals, and do soldering of each terminal. Be careful because the damage of the product is often started at the time of the hand solder.

#### 5. Repairing

Repair should not be done after the LEDs have been soldered. When repairing is unavoidable, a double-head soldering iron should be used (as below figure). It should be confirmed beforehand whether the characteristics of the LEDs will or will not be damaged by repairing.



## Double Light



### 6. Caution in ESD

Static Electricity and surge damages the LED. It is recommended to use a wrist band or anti-electrostatic glove when handling the LED. All devices, equipment and machinery must be properly grounded.